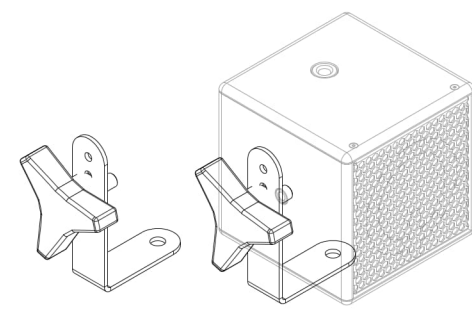


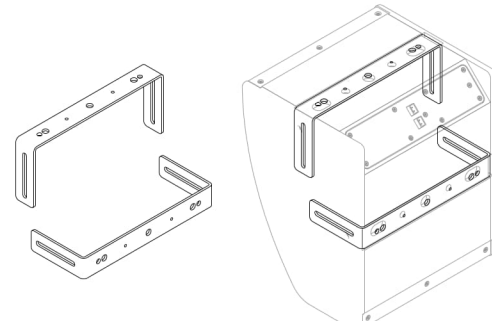
Accessories

**C4
T4**



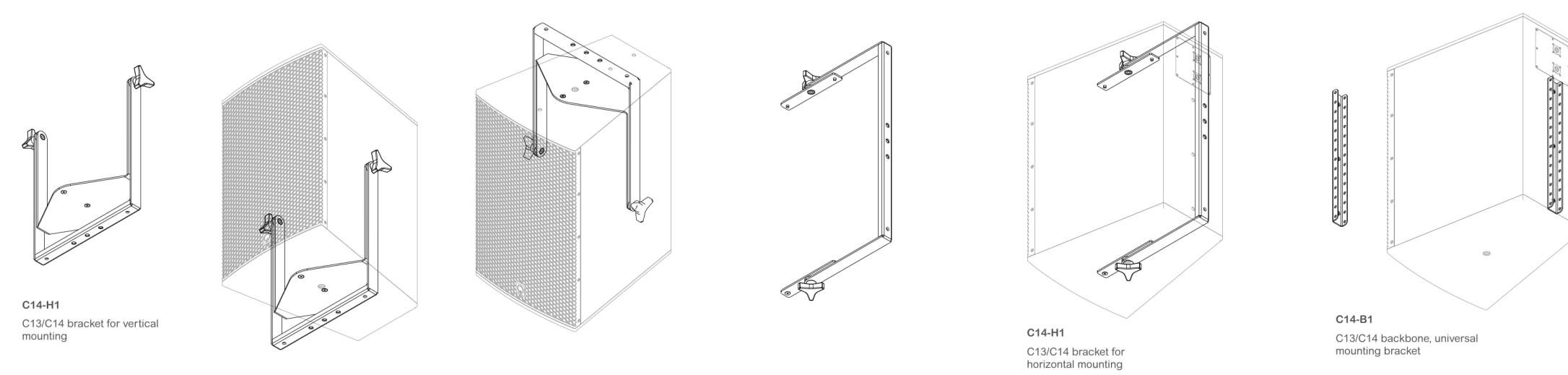
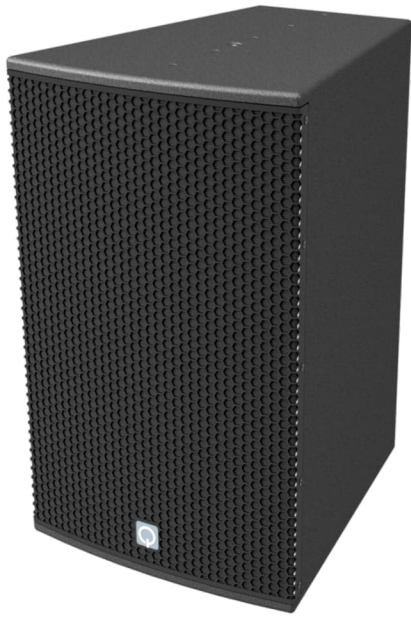
C4-H1
C4/T4 L bracket
360/360 adjustable

**C5
C6**



Integrated brackets
C5/C6 integrated brackets for
wall and ceiling mounting

**C13
C14**

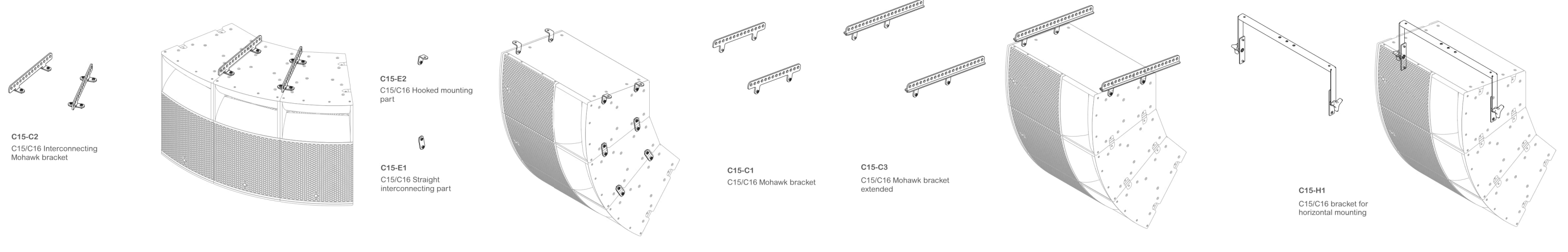


C14-H1
C13/C14 bracket for vertical
mounting

C14-H1
C13/C14 bracket for
horizontal mounting

C14-B1
C13/C14 backplate, universal
mounting bracket

**C15
C16**



C15-C2
C15/C16 Interconnecting
Molbak bracket

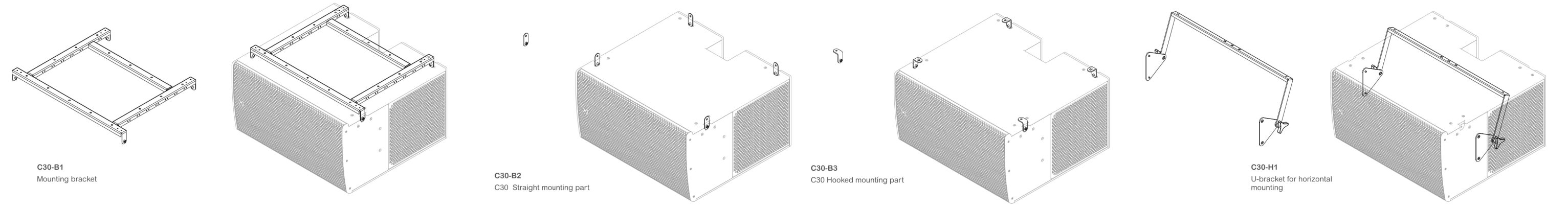
C15-E1
C15/C16 Straight
interconnecting part

C15-C1
C15/C16 Molbak bracket

C15-C3
C15/C16 Molbak bracket
extended

C15-H1
C15/C16 bracket for
horizontal mounting

C30



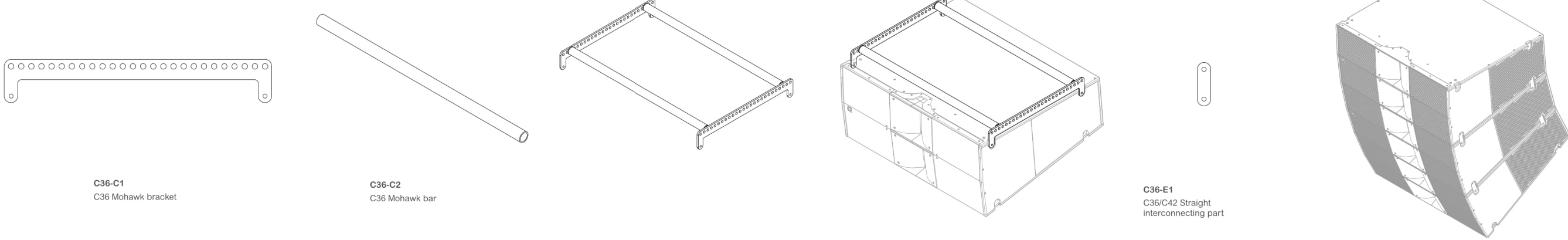
C30-B1
Mounting bracket

C30-B2
C30 Straight mounting part

C30-B3
C30 Healed mounting part

C30-H1
L-Bracket for horizontal
mounting

C36

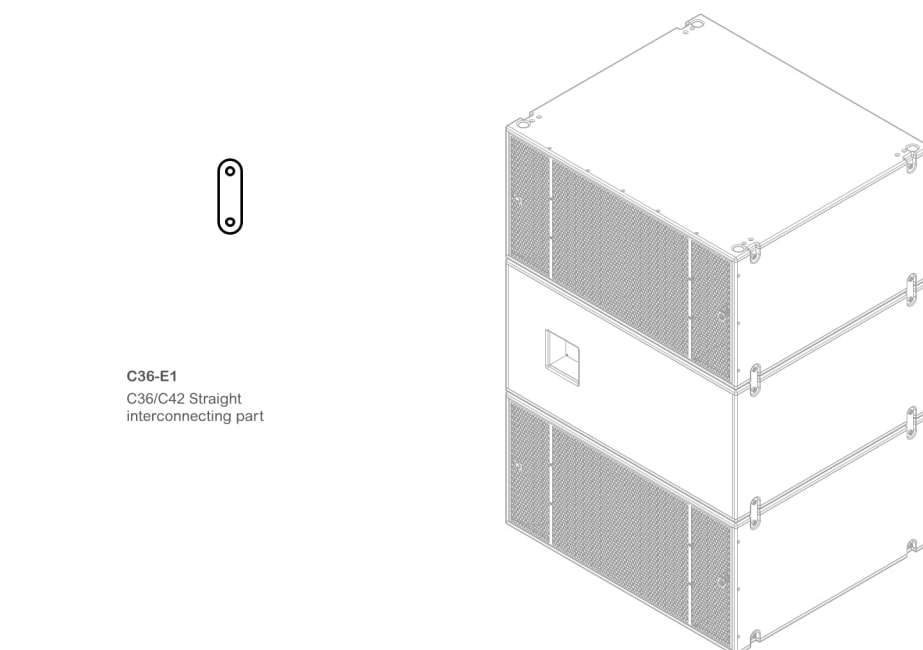


C36-C1
C36 Molbak bracket

C36-C2
C36 Molbak bar

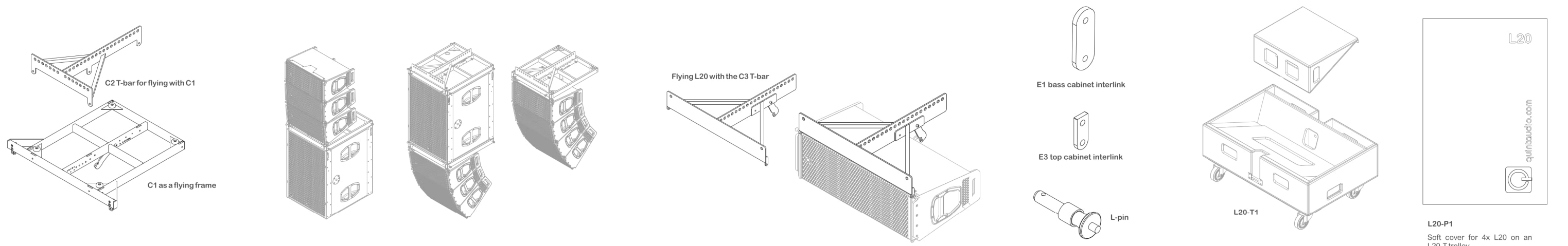
C36-E1
C36/C42 Straight
interconnecting part

C42



C36-E1
C36/C42 Straight
interconnecting part

L20



C2 T-bar for flying with C1

C1 as a flying frame

Flying L20 with the C3 T-bar

E1 bass cabinet interlink

E3 top cabinet interlink

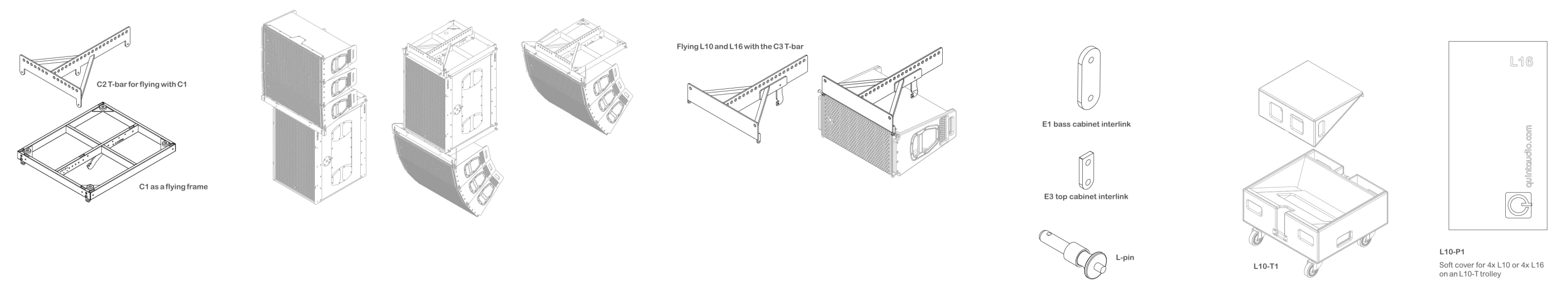
L-pin

L20-T1

L20-P1

Soft cover for 4x L20 on an
E20 Trolley

**L16
L10**



C2 T-bar for flying with C1

C1 as a flying frame

Flying L10 and L16 with the C3 T-bar

E1 bass cabinet interlink

E3 top cabinet interlink

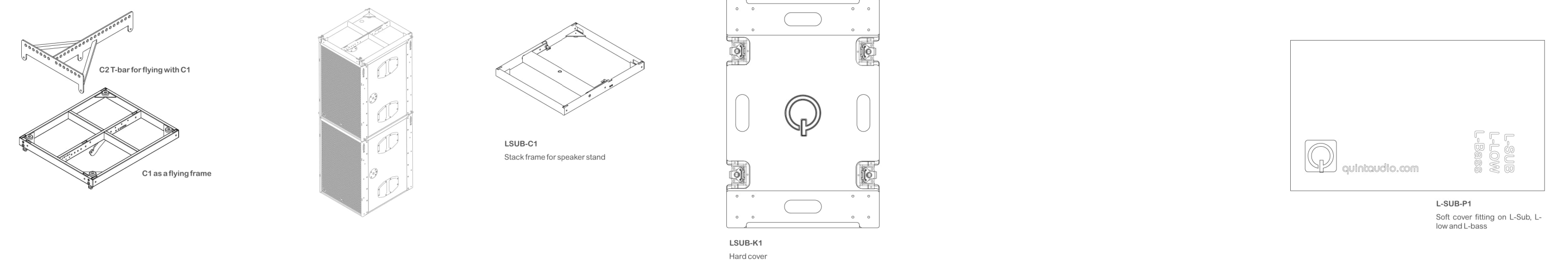
L-pin

L10-T1

L10-P1

Soft cover for 4x L10 or 4x L16
on an L10-T trolley

**L-sub
L-low
L-bass**



C2 T-bar for flying with C1

C1 as a flying frame

LSUB-C1
Stack frame for speaker stand

LSUB-M1
Hardcover

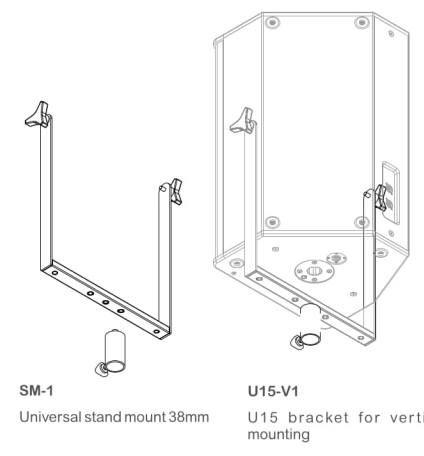
L-SUB-P1

Soft cover fitting on L-Sub, L-
low and L-bass

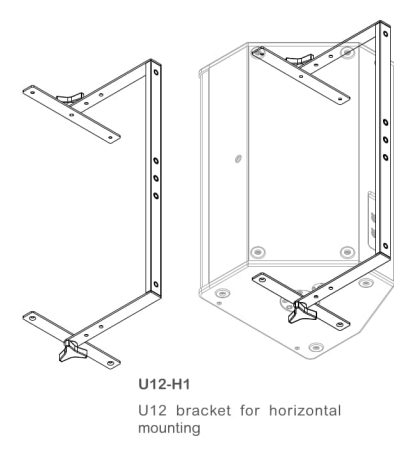
Accessories



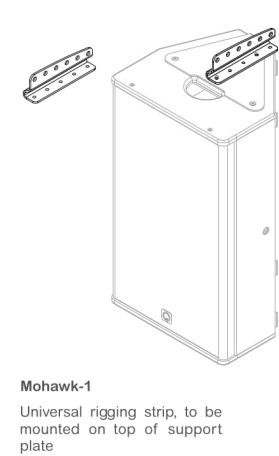
U15



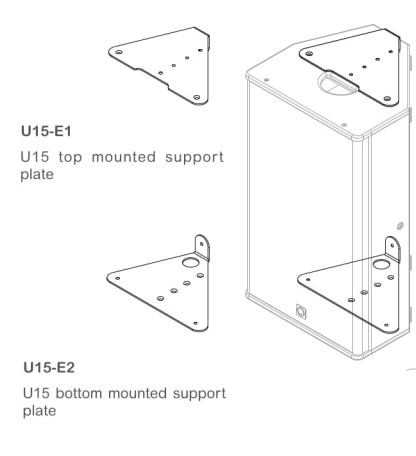
SM-1
Universal stand mount 38mm



U15-V1
U15 bracket for vertical mounting



U12-H1
U12 bracket for horizontal mounting



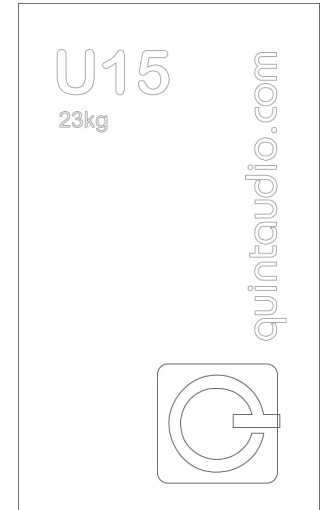
Mohawk-1
Universal rigging strip, to be mounted on top of support plate



U15-E1
U15 top mounted support plate



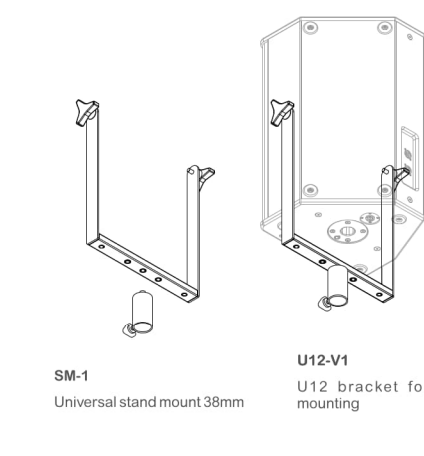
U15-E2
U15 bottom mounted support plate



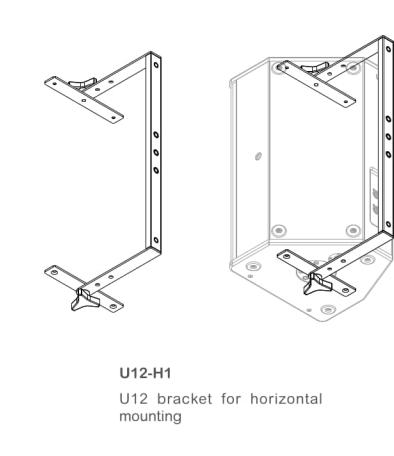
U15-P1
Soft cover



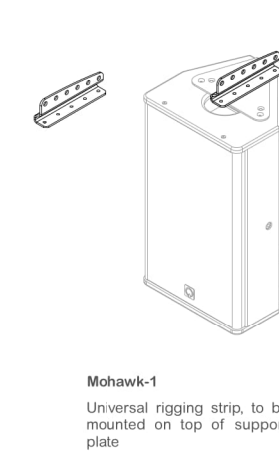
U12



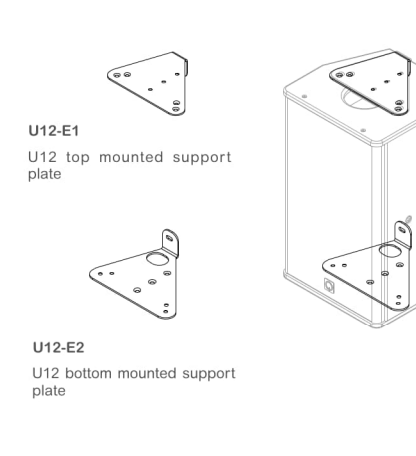
SM-1
Universal stand mount 38mm



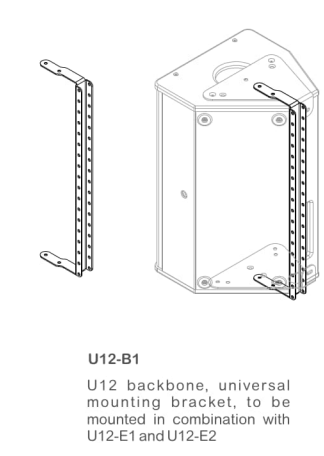
U12-V1
U12 bracket for vertical mounting



U12-H1
U12 bracket for horizontal mounting



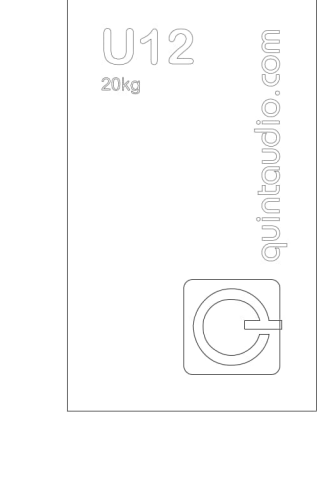
Mohawk-1
Universal rigging strip, to be mounted on top of support plate



U12-E1
U12 top mounted support plate



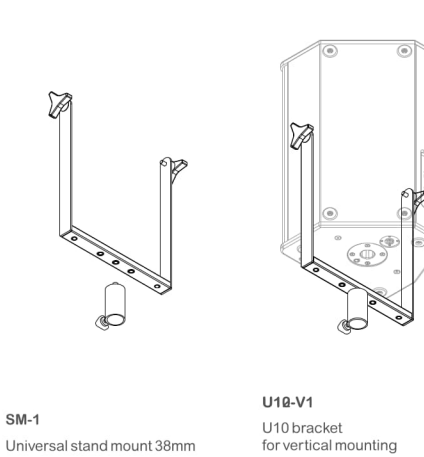
U12-E2
U12 bottom mounted support plate



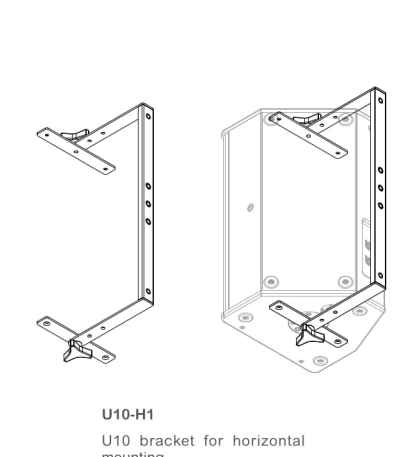
U12-P1
Soft cover



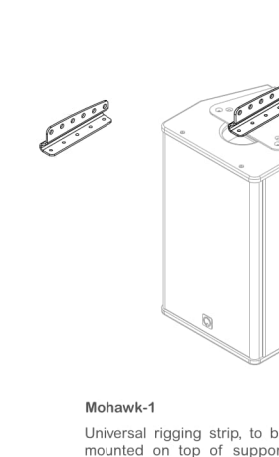
U10



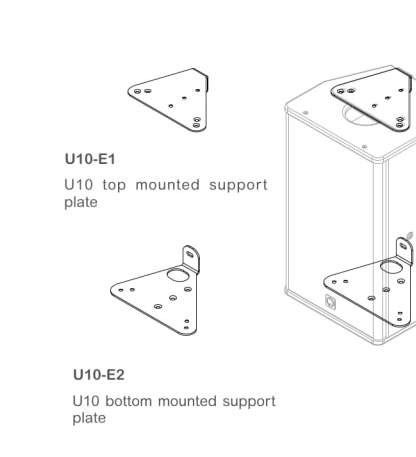
SM-1
Universal stand mount 38mm



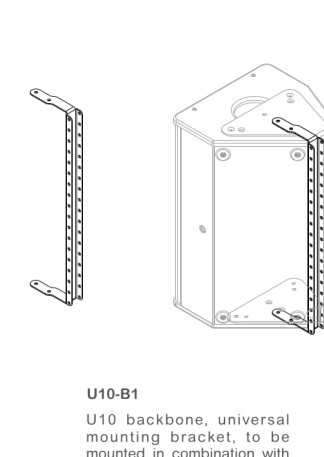
U10-V1
U10 bracket for vertical mounting



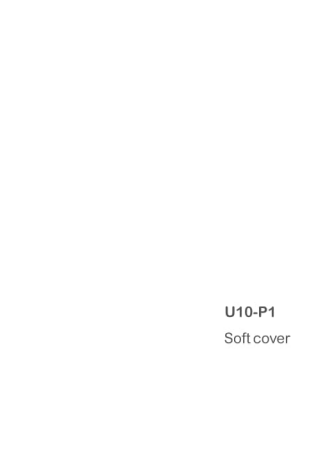
U10-H1
U10 bracket for horizontal mounting



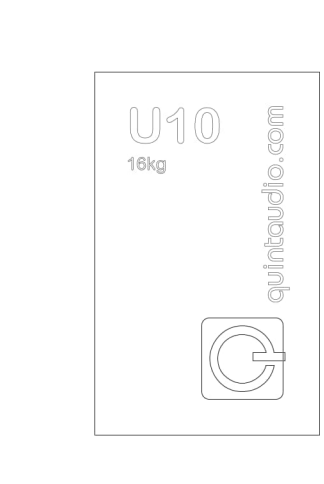
Mohawk-1
Universal rigging strip, to be mounted on top of support plate



U10-E1
U10 top mounted support plate



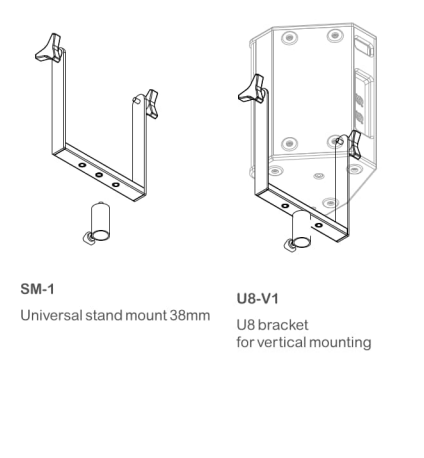
U10-E2
U10 bottom mounted support plate



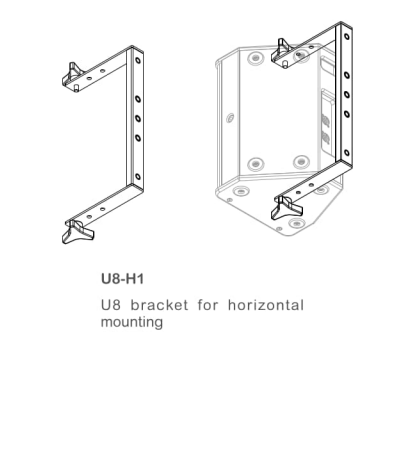
U10-P1
Soft cover



U8



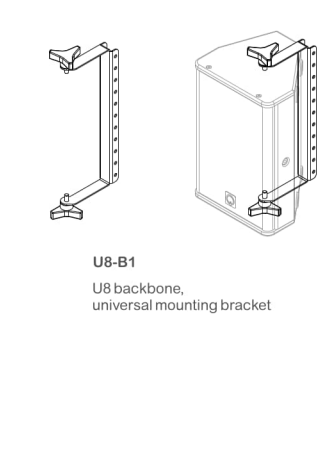
SM-1
Universal stand mount 38mm



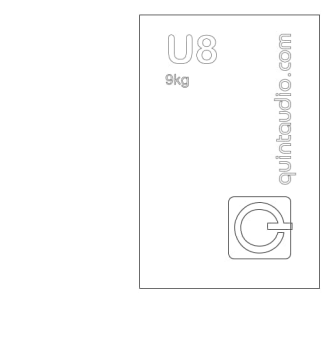
U8-V1
U8 bracket for vertical mounting



U8-H1
U8 bracket for horizontal mounting



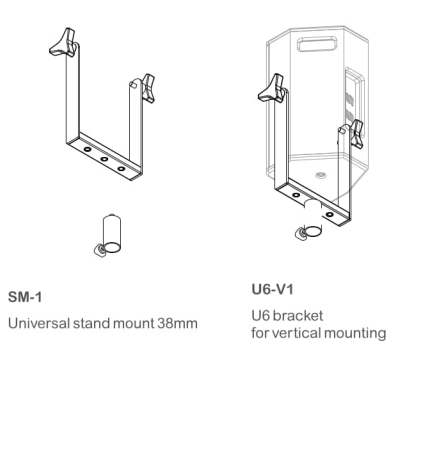
U8-B1
U8 backbone, universal mounting bracket



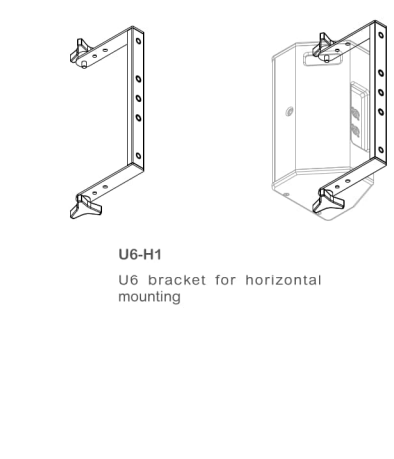
U8-P1
Soft cover



U6



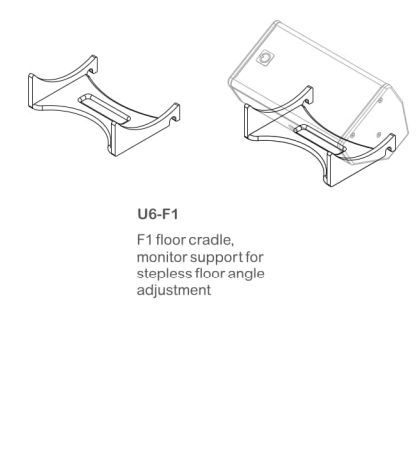
SM-1
Universal stand mount 38mm



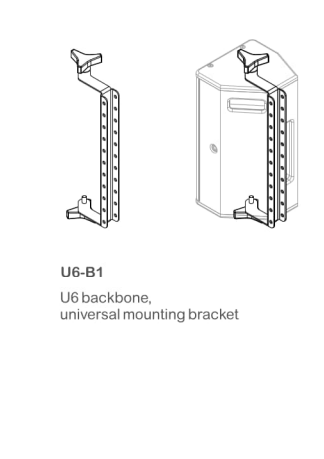
U6-V1
U6 bracket for vertical mounting



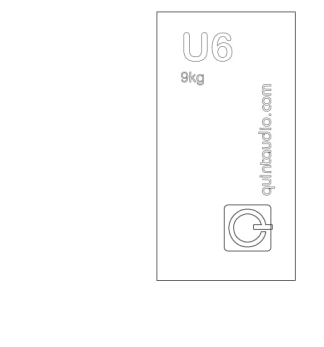
U6-H1
U6 bracket for horizontal mounting



F1
F1 floor cradle, monitor support for steep floor angle adjustment



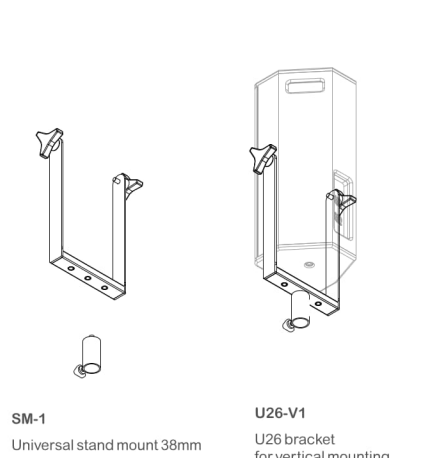
U6-B1
U6 backbone, universal mounting bracket



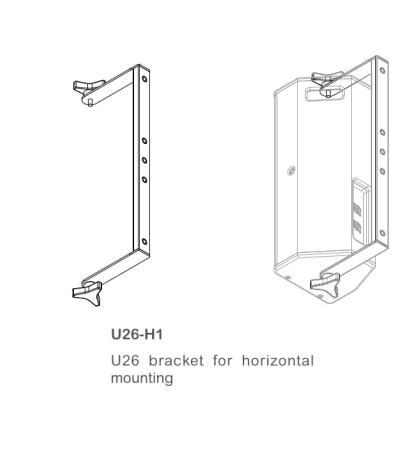
U6-P1
Soft cover



U26



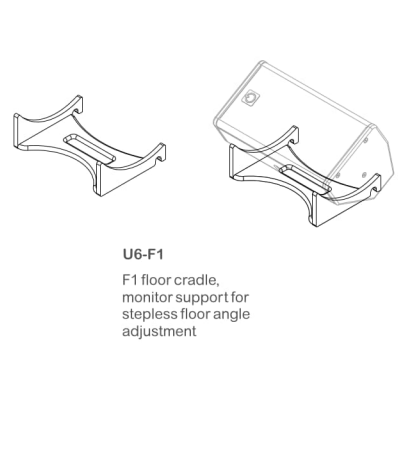
SM-1
Universal stand mount 38mm



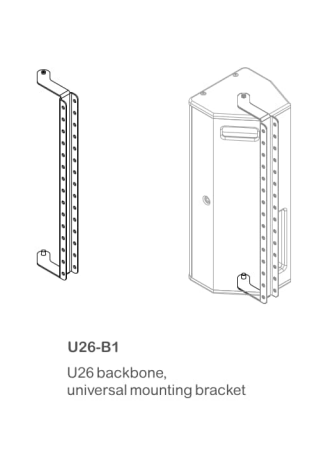
U26-V1
U26 bracket for vertical mounting



U26-H1
U26 bracket for horizontal mounting



F1
F1 floor cradle, monitor support for steep floor angle adjustment



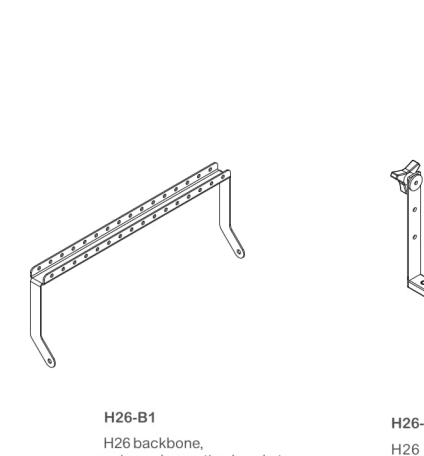
U26-B1
U26 backbone, universal mounting bracket



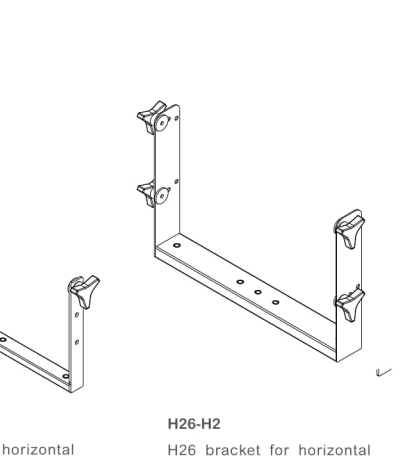
U26-P1
Soft cover



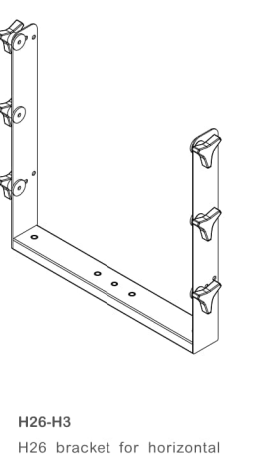
H26



H26-B1
H26 backbone, universal mounting bracket



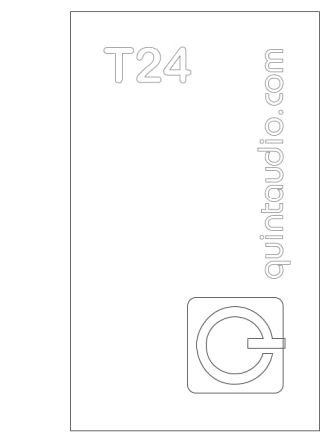
H26-H1
H26 bracket for horizontal mounting



H26-H2
H26 bracket for horizontal mounting 2x H26 stacked



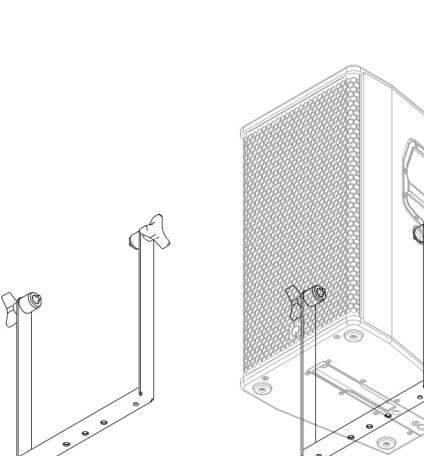
H26-H3
H26 bracket for horizontal mounting 2x H26 stacked



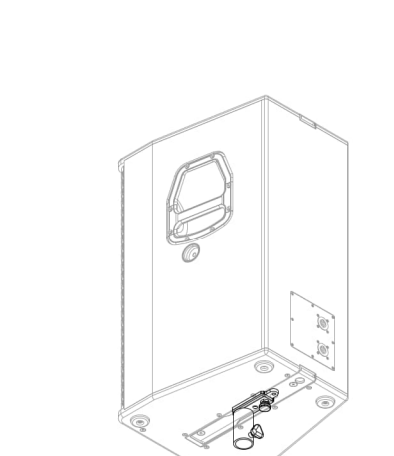
T24-P1
Soft cover



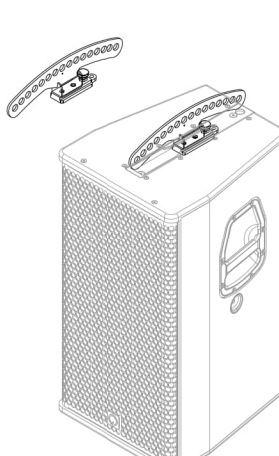
T24



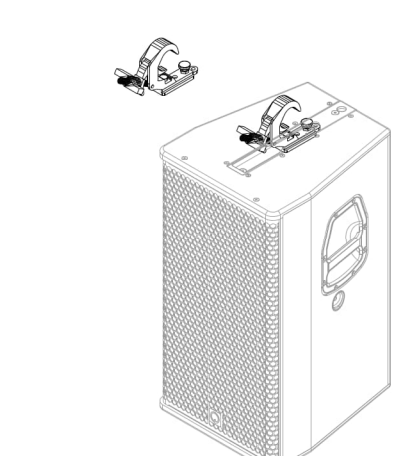
SM-1
Universal stand mount 38mm



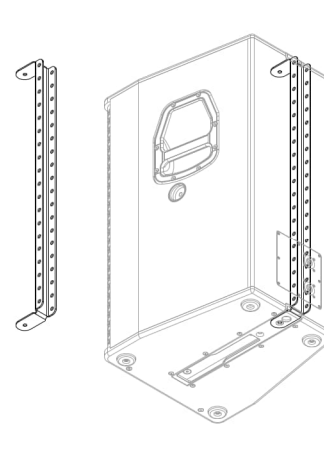
T24-V1
U26 bracket for angled vertical mounting



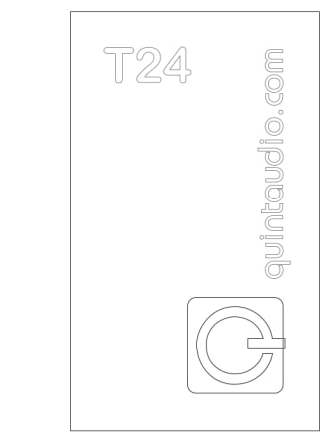
T24-E1
Quick Lock Slide-in part (with SM1)



T24-C1
Top-rigging hardware for fixed angled vertical mounting



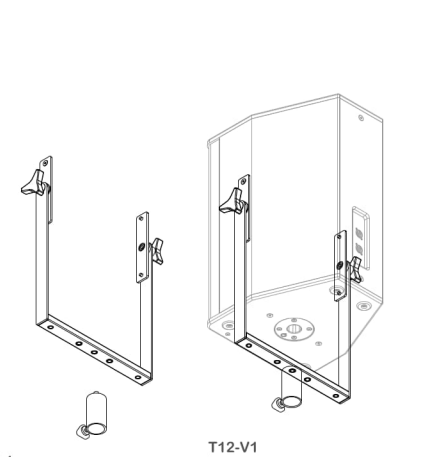
T24-B1
backbones for wall bracket attachment



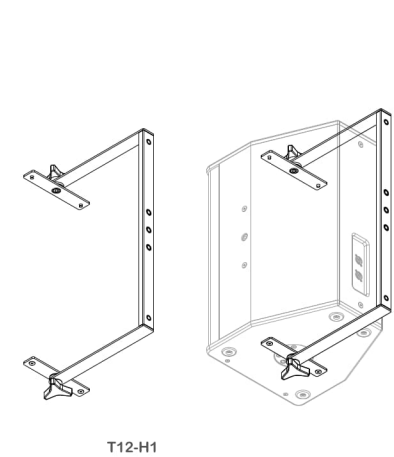
T24-P1
Soft cover



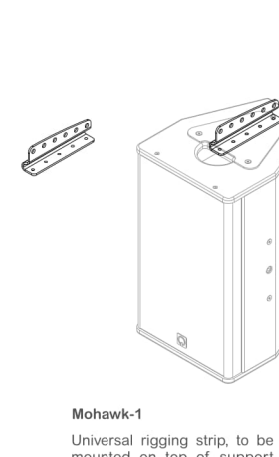
T12



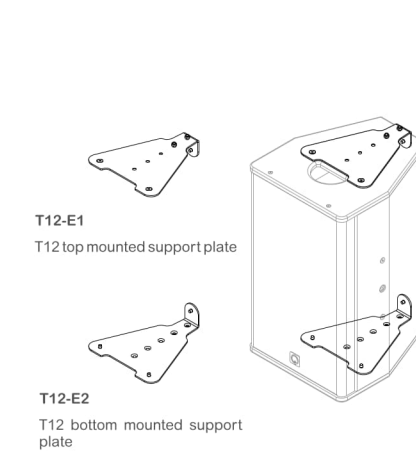
SM-1
Universal stand mount 38mm



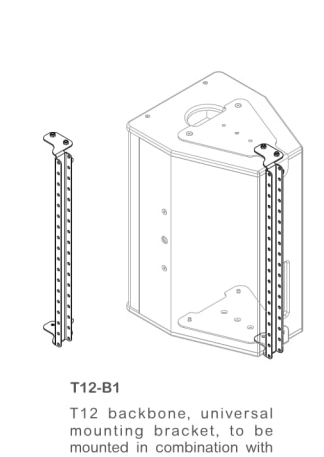
T12-V1
U12 bracket for vertical mounting



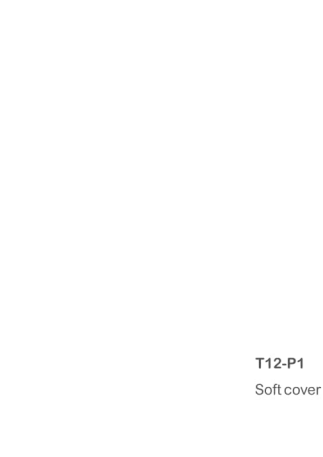
T12-H1
T12 bracket for horizontal mounting



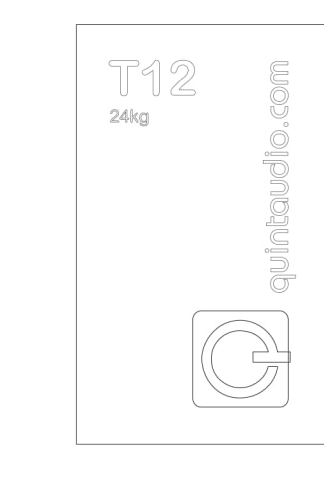
Mohawk-1
Universal rigging strip, to be mounted on top of support plate



T12-E1
T12 top mounted support plate



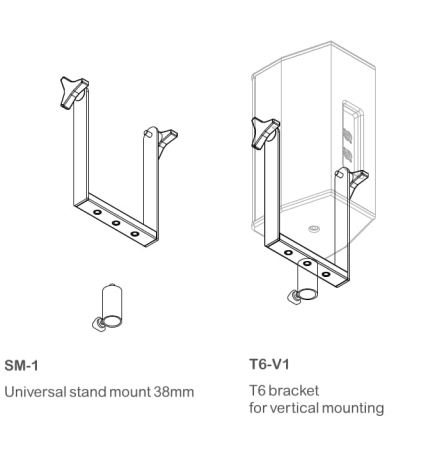
T12-E2
T12 bottom mounted support plate



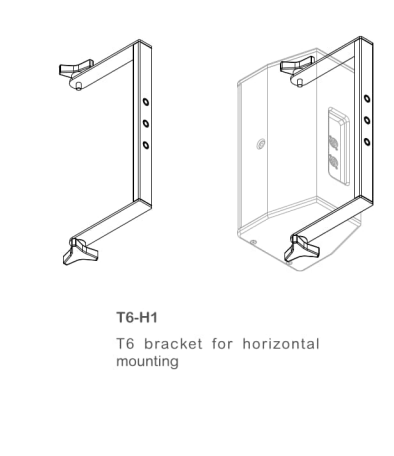
T12-P1
Soft cover



**T6
H6**



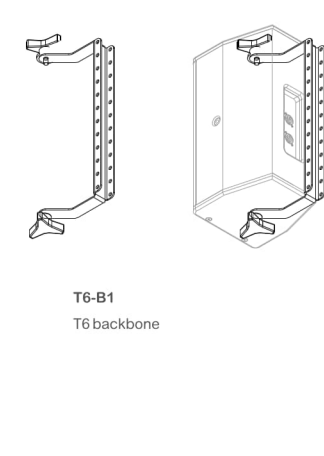
SM-1
Universal stand mount 38mm



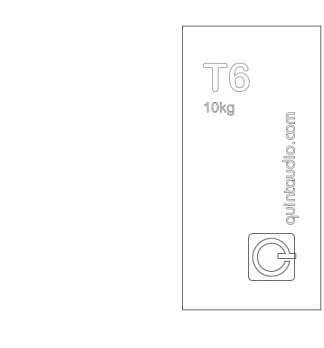
T6-V1
T6 bracket for vertical mounting



T6-H1
T6 bracket for horizontal mounting



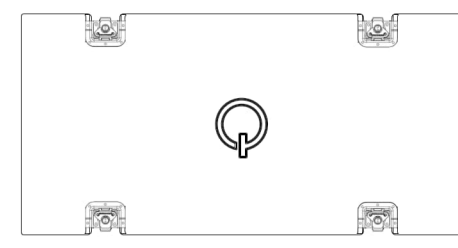
T6-B1
T6 backbone



T6-P1
Soft cover



S221



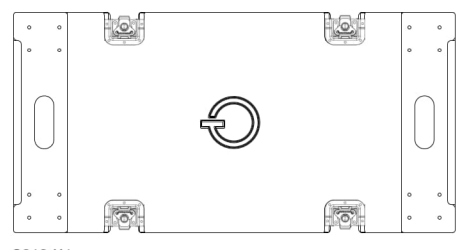
S221-K1
Hard cover



S221-P1
Soft cover



S218



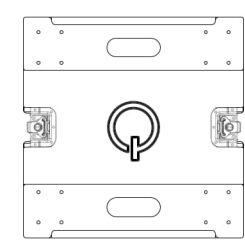
S218-K1
Hard cover



S218-P1
Soft cover



S18



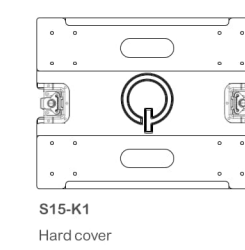
S18-K1
Hard cover



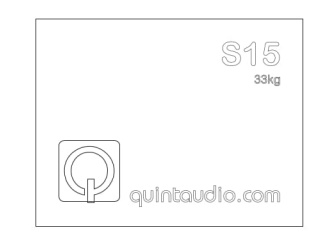
S18-P1
Soft cover



S15



S15-K1
Hard cover



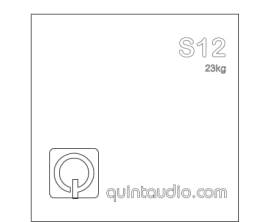
S15-P1
Soft cover



S12



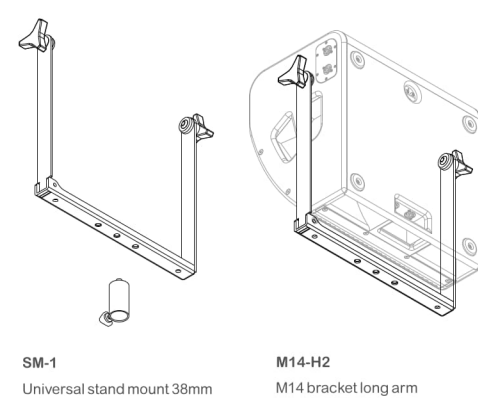
S12-K1
Hard cover



S12-P1
Soft cover

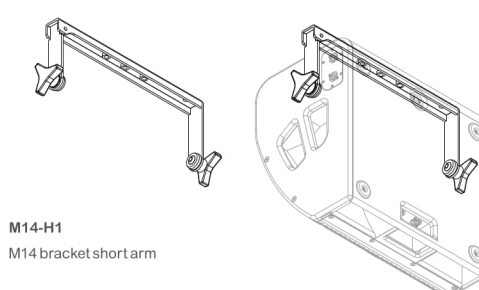


M14



SM-1
Universal stand mount 38mm

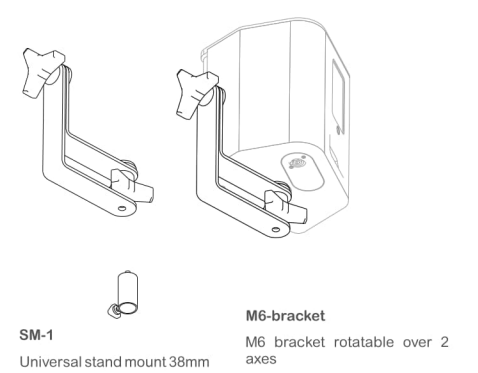
M14-K2
M14 bracket long arm



M14-K1
M14 bracket short arm



M6

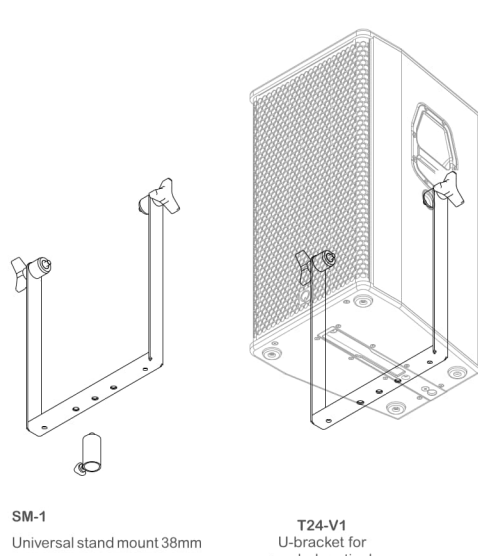


SM-1
Universal stand mount 38mm

M6-K1
M6 bracket rotatable over 2 ways

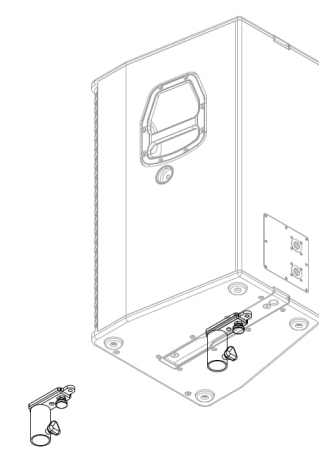


R12

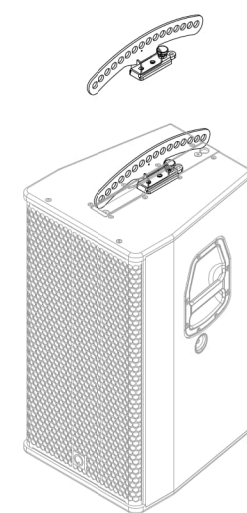


SM-1
Universal stand mount 38mm

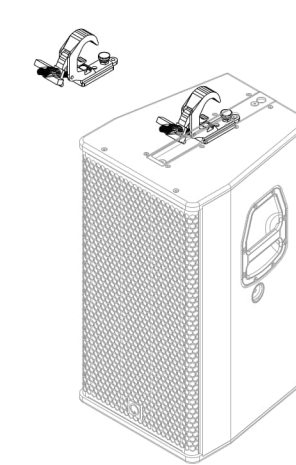
T24-K1
U-bracket for angled vertical mounting



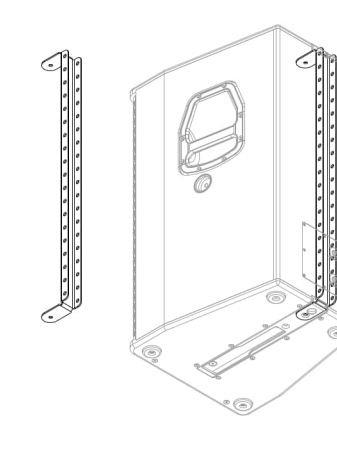
T24-E1
Quick Lock
Slide-in part
(with SM1)



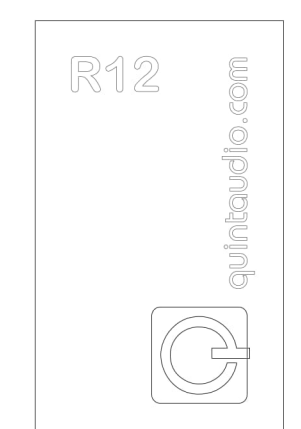
T24-C1
top-rigging
hardware for fixed
angled vertical
mounting



The T24-E1 Quick Lock rigging system can also be equipped with third party accessories like mounts and clamps

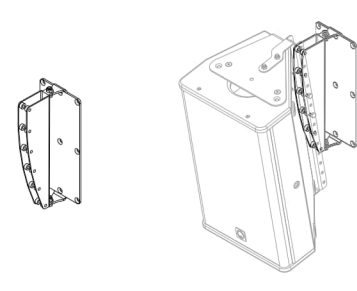


T24-B1
backbone for
wall-bracket
attachment



R12-P1
Soft cover

Wall Bracket - 1
Universal wall bracket.
Horizontal flange supports
several vertical mounting
angles in combination with all
S1 models (backbone)



Wall Bracket - 2
Bracket for mounting flat to the
wall, in combination with all
S1 models (backbone)

